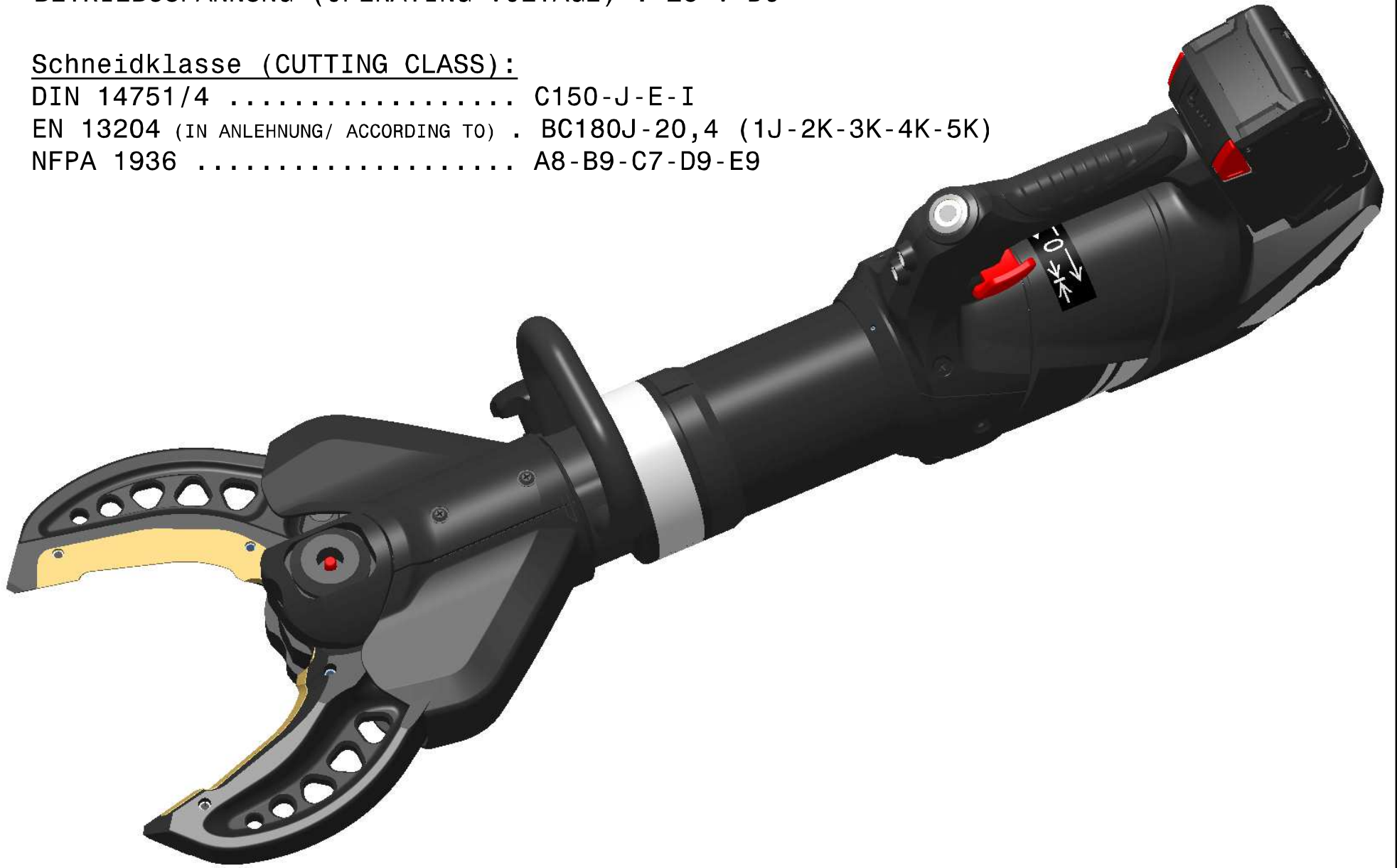


**TECHN. DATEN (TECHNICAL DATA):**

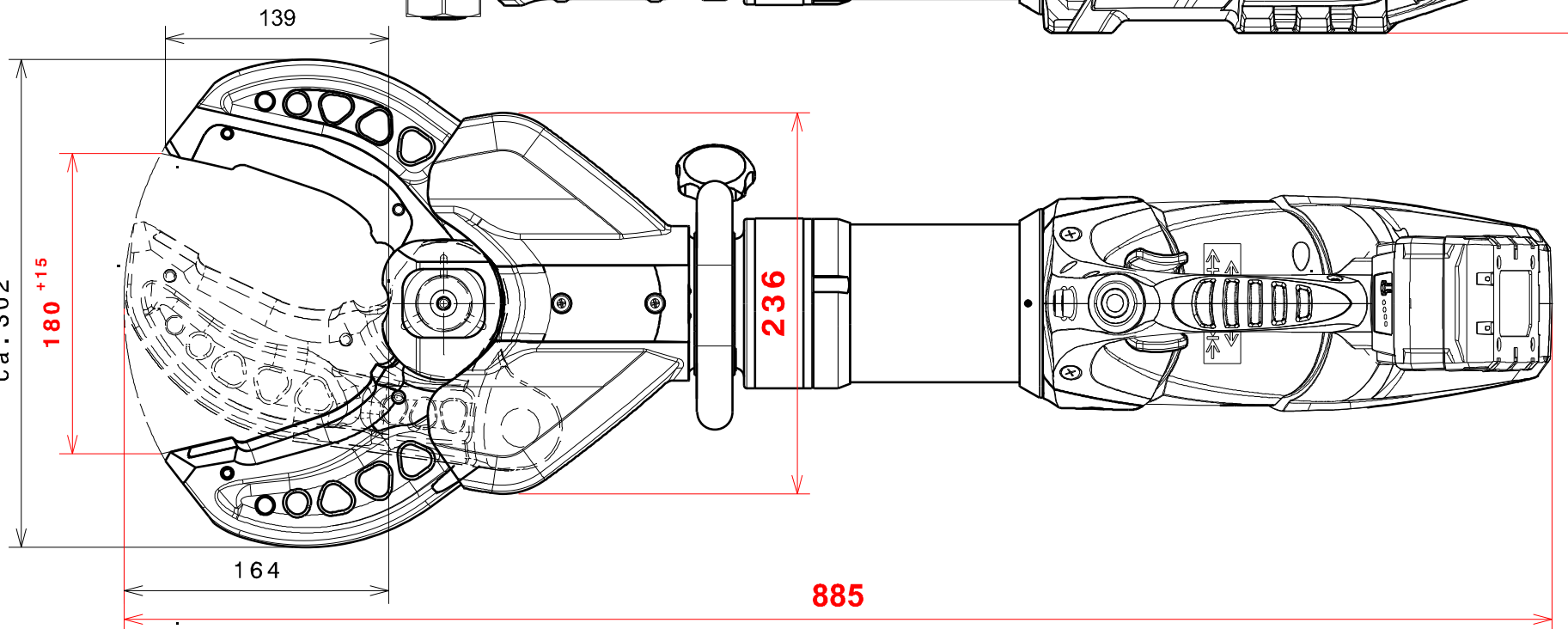
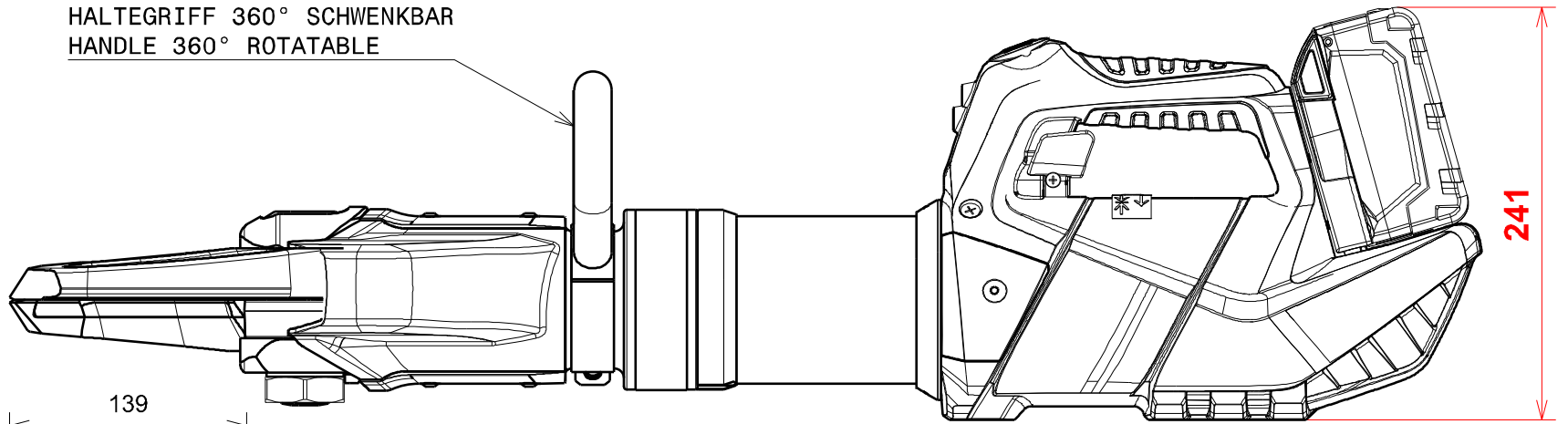
NENDRUCK (NOMINAL PRESSURE) PN ..... 70 MPa (700bar)  
 GEWICHT (WEIGHT) ..... 20,4 kg (INCL. AKKU)  
 BETRIEBSSPANNUNG (OPERATING VOLTAGE) . 28 V DC

**Schneidklasse (CUTTING CLASS):**

DIN 14751/4 ..... C150-J-E-I  
 EN 13204 (IN ANLEHNUNG/ ACCORDING TO) . BC180J-20,4 (1J-2K-3K-4K-5K)  
 NFPA 1936 ..... A8-B9-C7-D9-E9



HALTEGRIF 360° SCHWENKBAR  
HANDLE 360° ROTATABLE



GEPR. JSC  
CHECK.

GEZ. KST  
DRAW. DAT. 22.06.16

GEAEND. KST  
MODIF. AEND.-DATUM 08.02.17  
MOD.-DATE

170091  
C

AEND.-NR.  
MOD.-NO.  
REVISION  
REVISION

FREIMASSTOLERANZEN (GENERAL TOLERANCES)	LAENGENMASS (LENGHT)mm	...50	50...250	250...1000	1000...	WINKELMASS (ANGLE)	...180°
	TOLERANZ (TOLERANCE)mm	±1,5	±2,0	±3,0	±5,0	TOLERANZ (TOLERANCE)	±10°